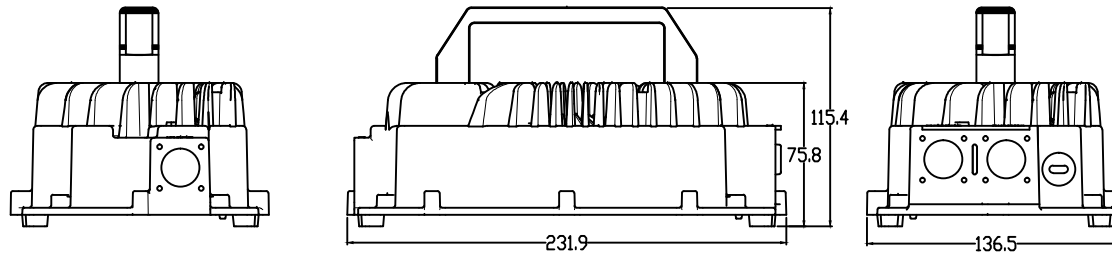
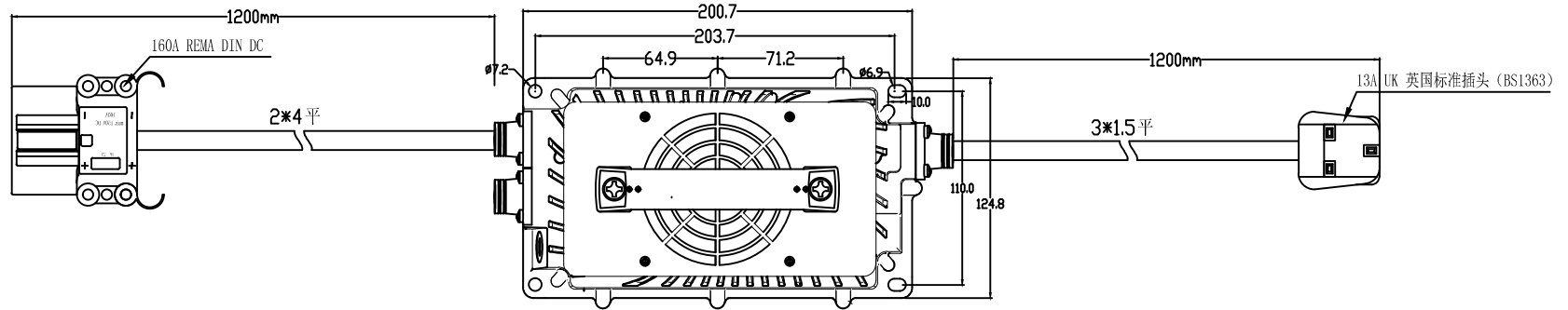


UNIT:mm

REV	修改内容
2	



NOTES:

1. CASE&CABLE COLOR:BLACK
2. INLET:C14
3. TOLERANCES:  $\pm 0.5$

P/N.:

MODEL NO.:	OUTLINE	SHEET 1 OF 1	REV:1
R&D(SH)	P E	DRAWN	DATE
			17/Nov/14'
INTERIOR COUNTERSIGN:			

Mechanical Drawing (外觀/機構圖) 表單編號: