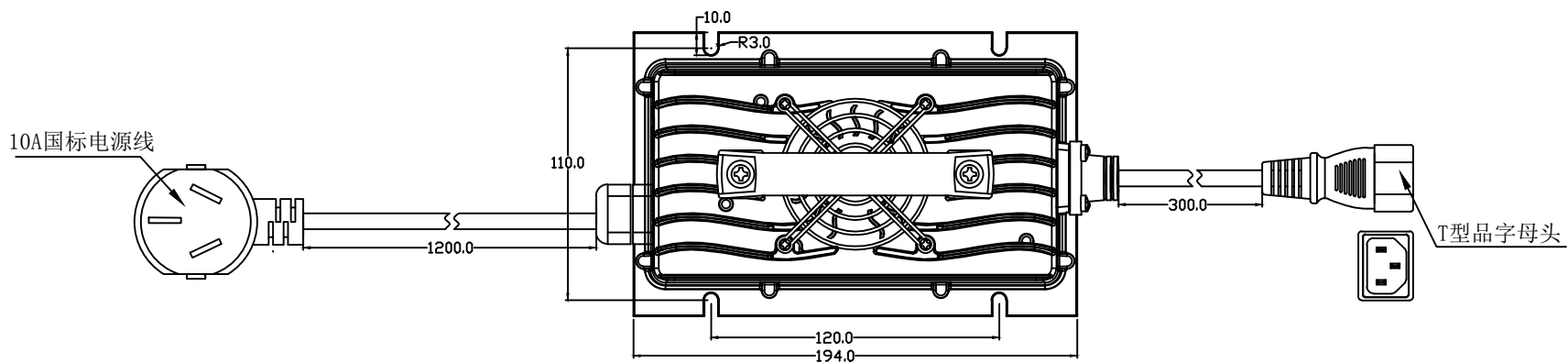
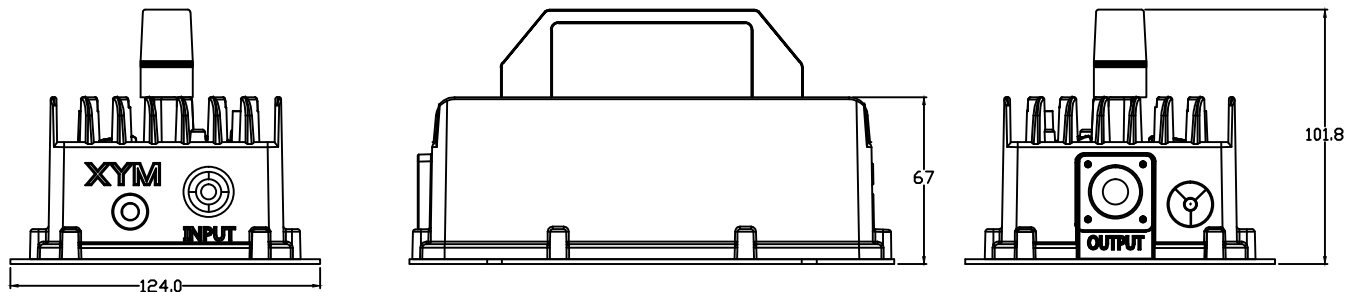


UNIT:mm

| | |
|-----|------|
| REV | 修改内容 |
| 2 | |



- NOTES:
1. CASE&CABLE COLOR:BLACK
 2. INLET:C14
 3. TOLERANCES: ±0.5

P/N.:

| | | | |
|-----------------------|---------|--------------|------------|
| MODEL NO.: | OUTLINE | SHEET:1 OF 1 | REV:1 |
| R&D(SH) | P E | DRAWN | DATE |
| | | | 19/Nov/19' |
| INTERIOR COUNTERSIGN: | | | |

Mechanical Drawing (外觀/機構圖) 表單編號:

Autodesk

Autodesk