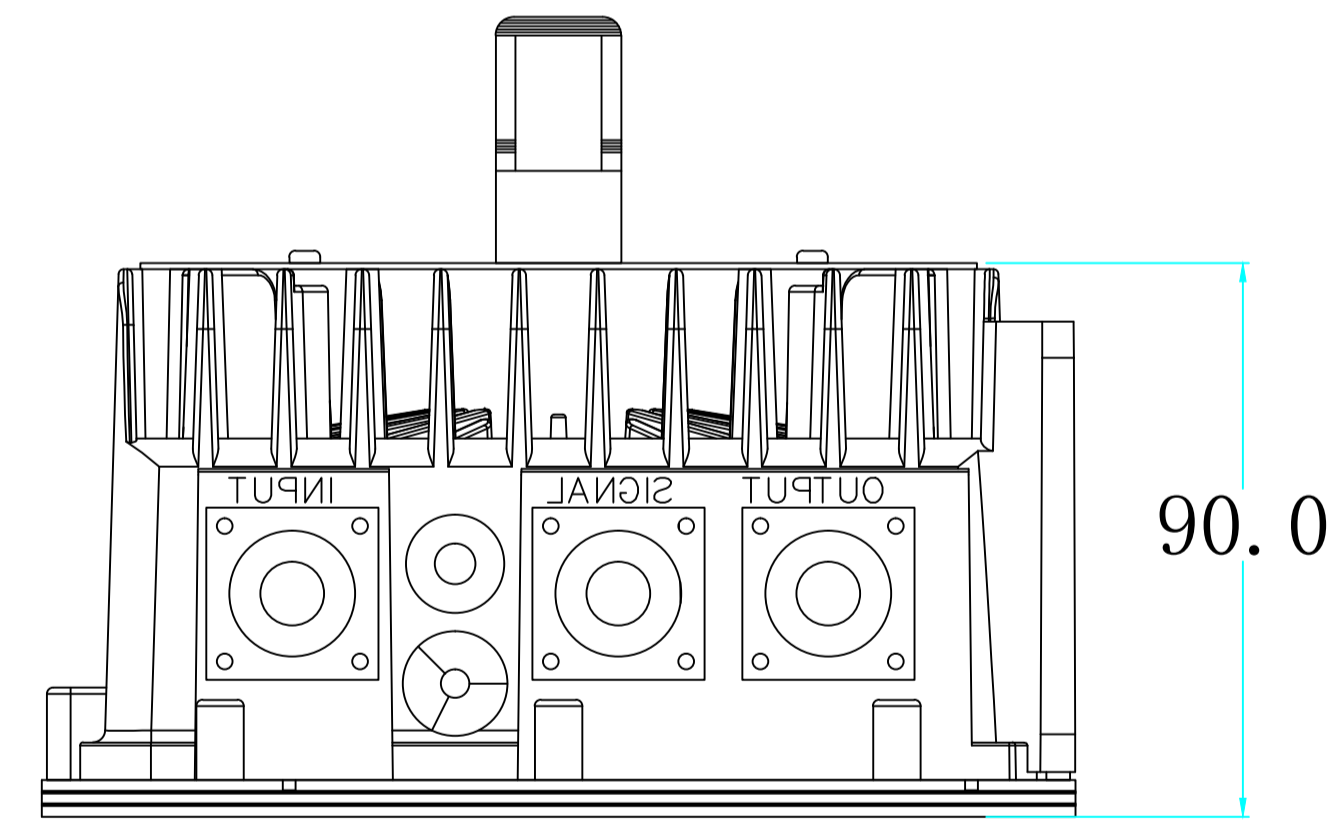
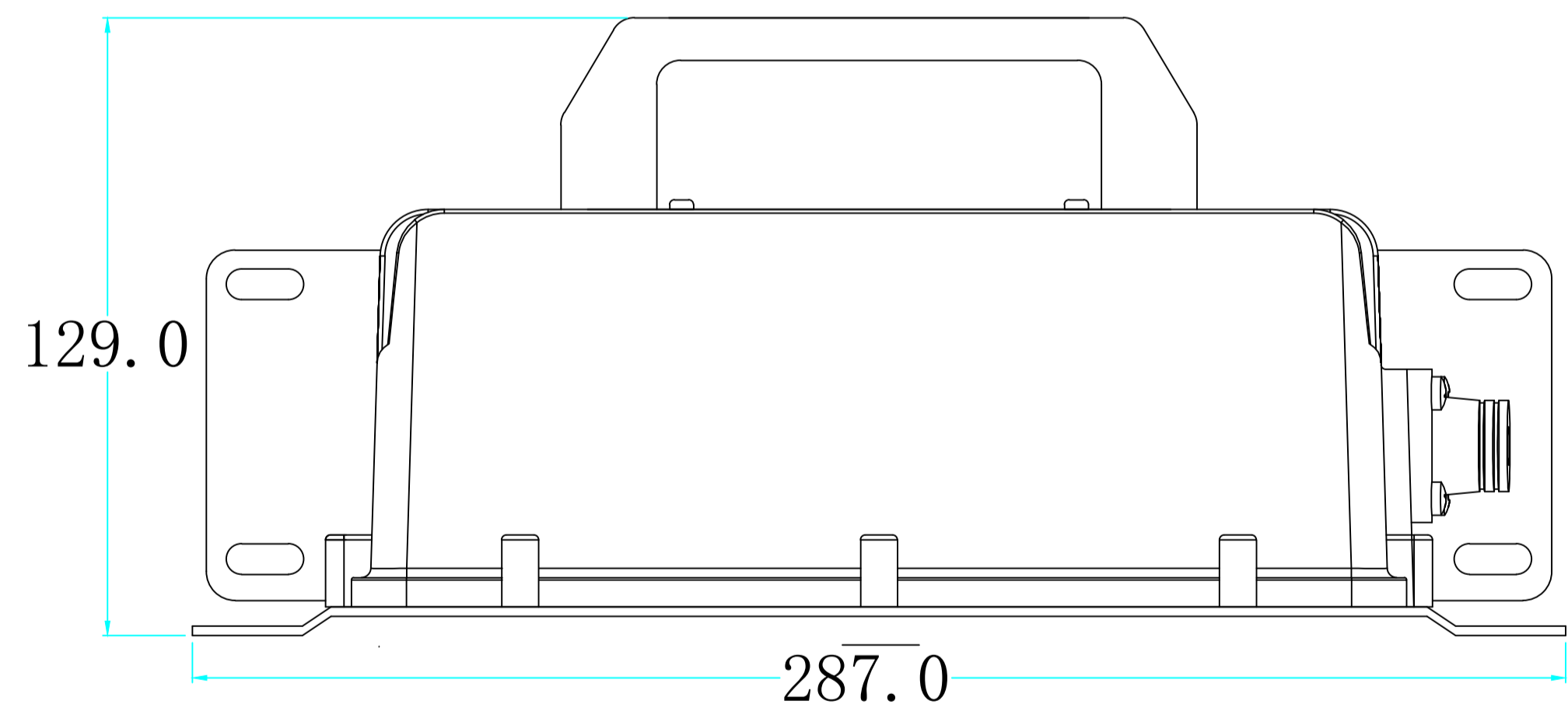
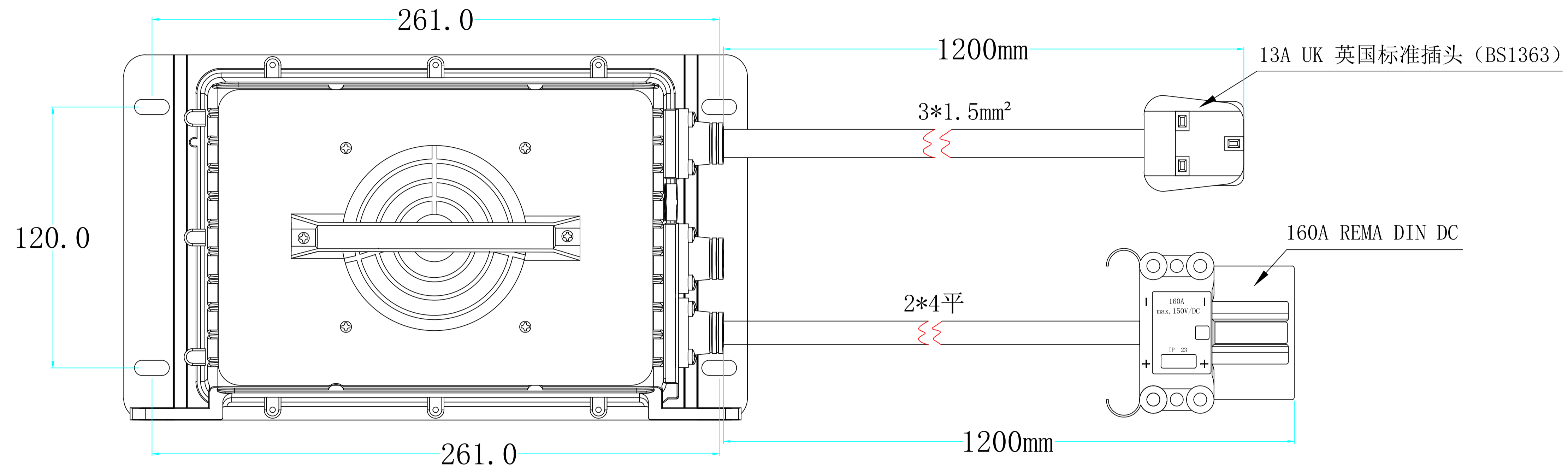




UNIT:mm

REV	修改内容
2	



- NOTES:
1. CASE&CABLE COLOR:BLACK
 2. INLET:C14
 3. TOLERANCES: ±0.5

P/N.:

MODEL NO.:	OUTLINE	SHEET:1 OF 1	REV:1
R&D(SH)	P E	DRAWN	DATE
			17/Nov/14'
INTERIOR COUNTERSIGN:			