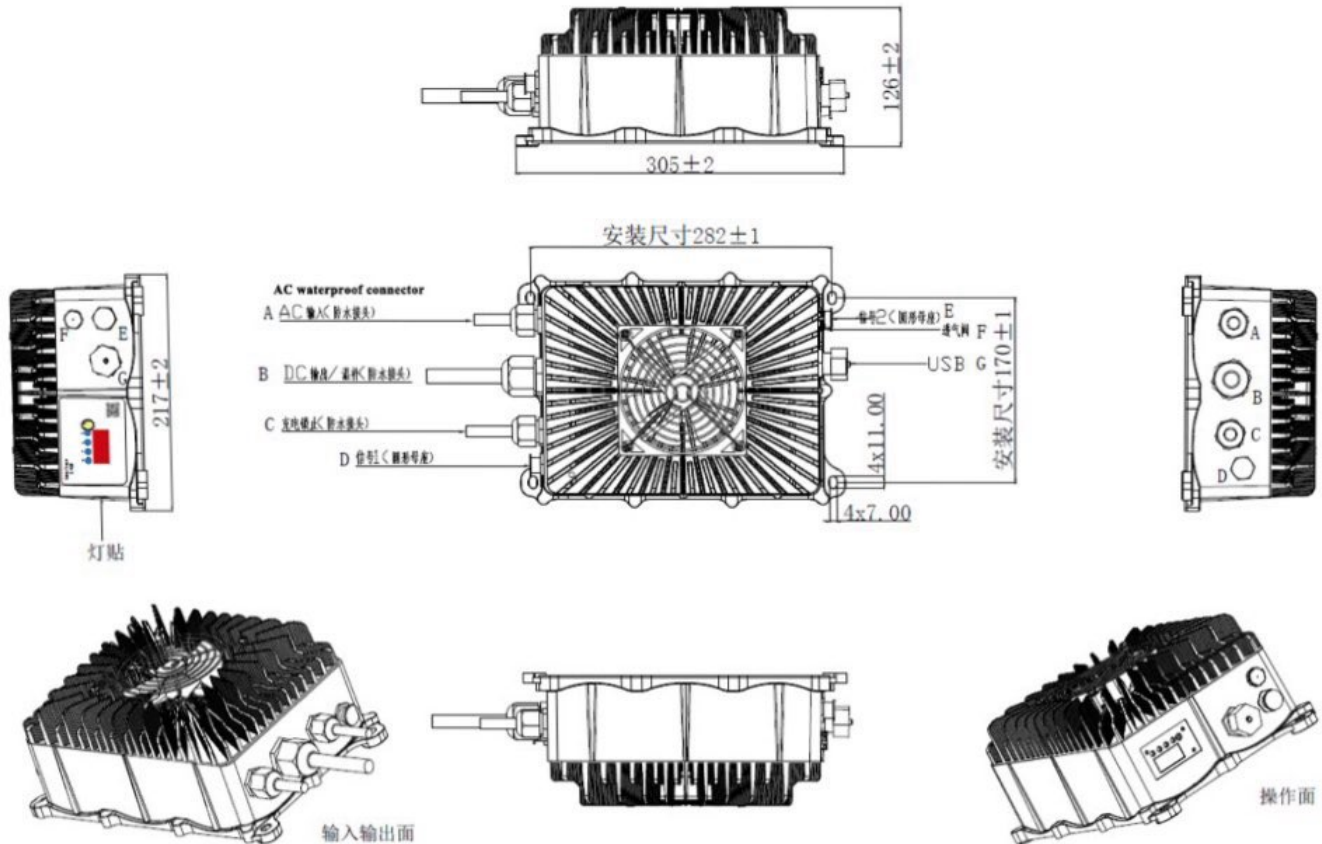


III Drawing:



IV User Notice

- Please do not modify or disassemble the product, otherwise it may cause electric shock;
- It is strictly forbidden to use the charger harness and cables as a handle;
- There are high-voltage and high-temperature places inside the product, which may cause electric shock or burns if touched;
- Please use the product within the range of technical parameters, if it is used outside the range, it may cause damage to the product;
- Hangzhou AODI Electronic Control Co.,Ltd has the final interpretation right of this product description, and it is not allowed to copy and reprint in any form without permission.